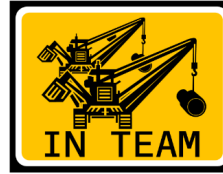


Rulliere di posa RC 36"-48"

Roller Cradle RC 36"-48"



CoRis
www.coris-pipeline.com

36"-48" ROLLER CRADLE DATASHEET



Construction: Four strand roller cradle

Lifting Capacity: 30 ton (max.)

Total weight: 1500 kg (with rollers, wire rope and clamps)

Number of rollers: 36



Components:

1. Steel Lifting Head

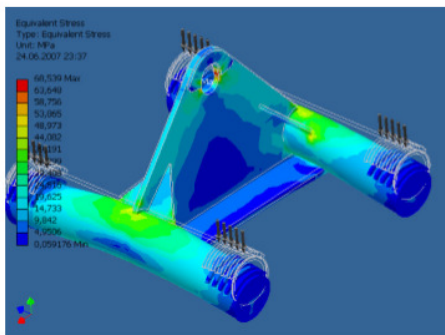
- Dimensions:
L:1422 x W:17 x H: 650 mm
- Weight: 1000 kg
- Pipe diameter: 300 mm
- Pipe wall thickness: 25 mm
- Steel plates: 35 mm St37 grade
- Paint: one coat primer plus
2 coat spray paint

2. Rollers

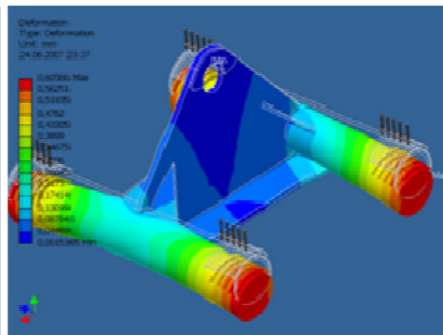
- Diameter: 150 mm
- Length: 150 mm
- High performance
polyurethane lining
- Anti-friction bearings
- Weight: 12 kg/each
- Number of rollers: 36

3. Wire Rope

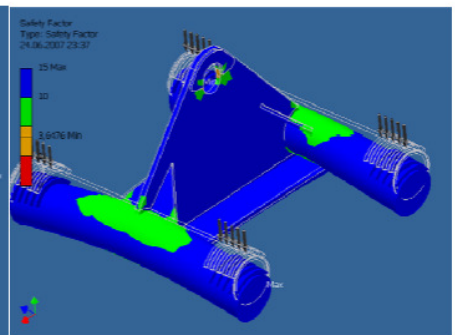
- Diameter: 28 mm



Stress Analysis



Deformation



Safety Factor 5:1

CoRis srl

sede legale: Via Resga Enza 1, 43022 Montechiarugolo (PR) ITALY

sede operativa: fraz. Formio, 94/a, 43036 Fidenza (PR) ITALY

Telefono +39 0524 423576

e-mail info@coris-pipeline.com

www.coris-pipeline.com

